

SCPV – TEMPEST -32A19

19” - 2U Rack Mount Filter

Silicon CPV's 19" Rack Mount TEMPEST pluggable filter, has been designed for use within stringent TEMPEST environments and applications, where protection compliant to SDIP-29 and equipment hardening to SDIP-27 is required.

The product uses ultra-reliable self-healing capacitors, in all units to deliver optimum performance across the full frequency range and under all loading conditions.

The SCPV filter has been designed for use within unprotected power environments to ensure deployment and electrical installation is as quick and simple as possible.

The Silicon CPV filter come in as a **4-wire option** with current ratings of up to **32A per phase**.



Front mounted connectors



Rear mounted connectors

Description



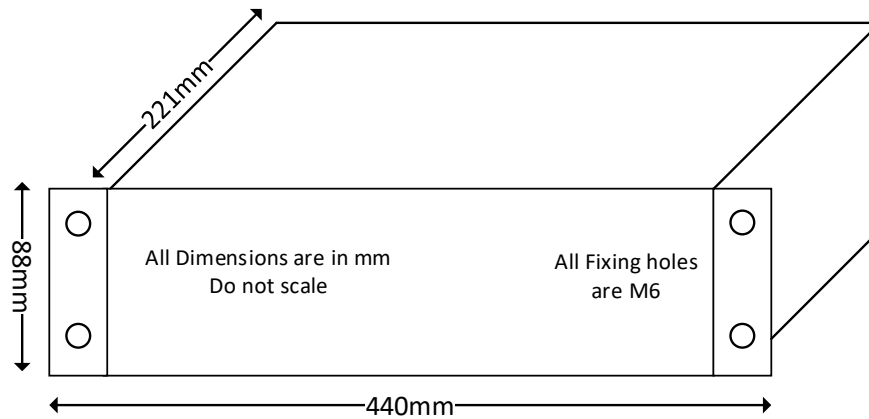
- 19" – 2U Rack Mountable Filter
- TEMPEST EMI SP & N filter providing performance to SDIP-27 B/C
- Insertion loss of 100dB from 14kHz to 18GHz
- **Input panel mount IEC 60309 3P+N+E 6h 32A (4P5W) Plug**
- **Output panel mount IEC 60309 3P+N+E 6h 32A (4P5W) Socket**
- Designed to IT equipment safety standard EN 62368-1
- Fully 360° screened input cable to maintain red/black separation to filter
- Low Smoke Zero Halogen (LSZH) rated cabling for use in sensitive areas
- Self-healing metallised plastic film capacitors
- High common & differential mode insertion loss
- Improved low frequency performance
- Powder coated aluminium enclosure
- 4-wire option with current ratings of up to 32A per phase
- UKCA - CE compliant – 3 phase nominal input voltage 400VAC
- 5-year warranty
- Filters comply with basic requirements of the EMC directive 2014/30/EU

Ratings and Characteristics

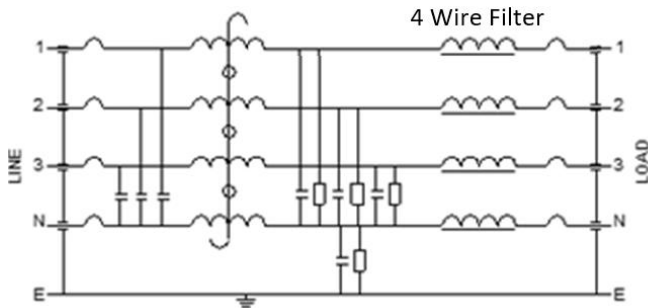
Rated Voltage	400V AC 50/60Hz
Test Voltage (line-earth)	2250V DC
Test Voltage (line-Line)	1250V DC
Rated Current @50°C	32A per phase
Earth Leakage Current	Less than 3.0mA
Max Temp Rise @Full Load	<35°C

Storage Temp Range	-25°C to 85°C
Operating Temp Range	-20°C to 50°C
Insertion Loss (50Ω Asymmetric)	60dB, 100KHz - 1GHz
Discharge Time	Less than 1s to below 34V
Enclosure	Extruded Aluminium
Finish	Powder coated

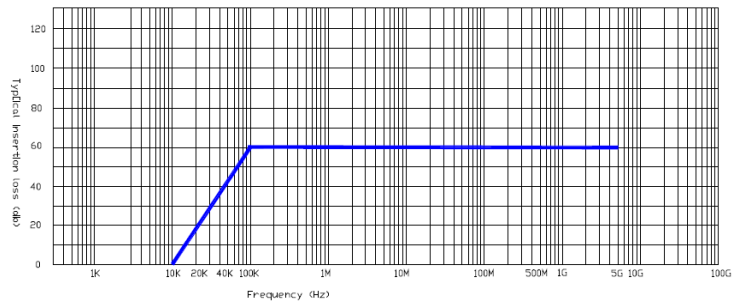
Dimensional Data



Schematic



Performance Characteristics and Insertion Loss Curves



Part No and Ordering Information

Part No	Product Description
SCPV - TEMPEST - 32A19 CP&F Part No: SCPVTEMPEST32ACPR (Rear mount) CP&F Part No: SCPVTEMPEST32ACPF (Front mount)	19"-2U Rack Mount 3 phase, 32A Filter, with panel mount IEC 60309 3P+N+E 6h 32A (4P5W) Plug and socket